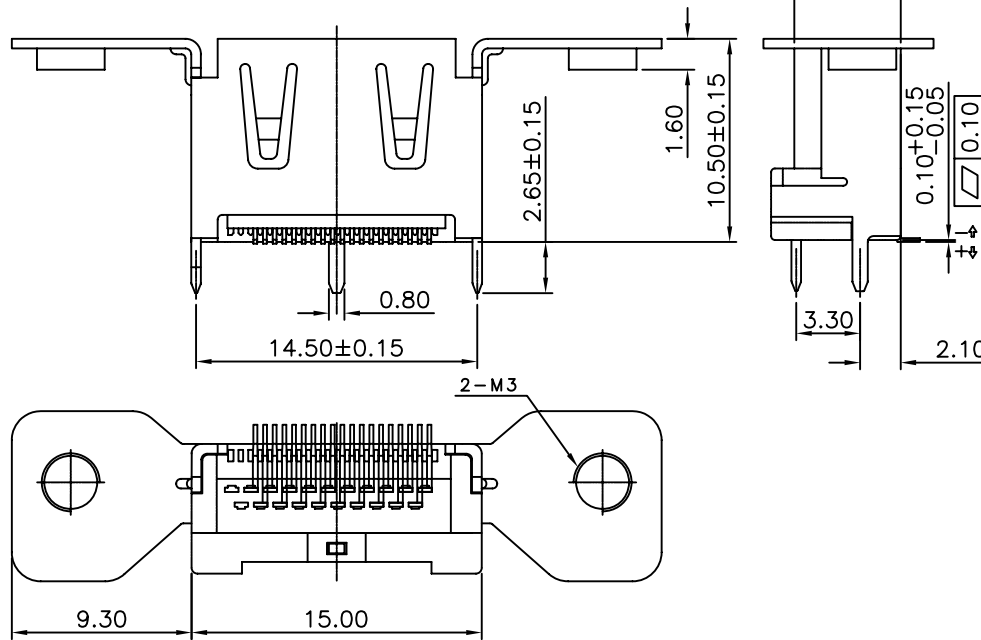
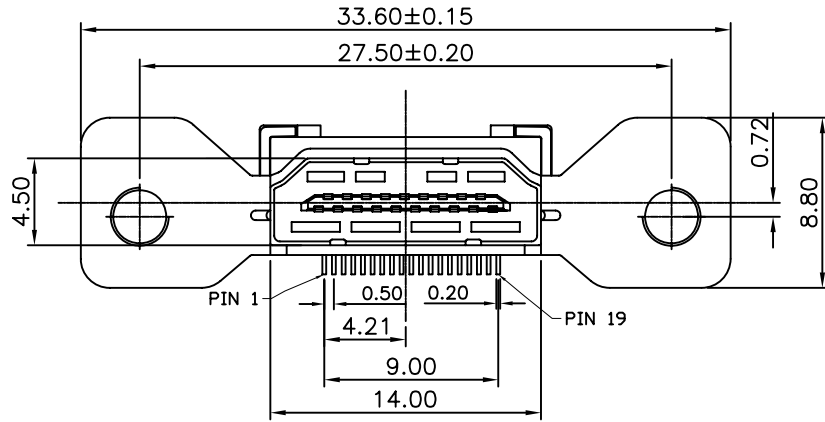


RoHS Compliant Customer Drawing



NOTE:

1.MATERIAL:

HOUSING:HIGH TEMPERATURE POLYESTER & LCP+GLASS FIBER UL94V-0

BLACK COLOR

CONTACT:COPPER ALLOY

SHELL:COPPER ALLOY

Finish:

CONTACT: Au PLATING ON CONTACT AREA

SOLDERING AREA: 100u" MIN Matte TIN PLATING ON SOLDER TAILS

SHELL: 80u" MIN NICKEL PLATING

Ordering Information:

1 01 2 4 19 16 4 XX 0 1 00

① ② ③ ④ ⑤ ⑥ ⑦ ⑧

①Series Code: HDMI A=01 HDMI C=03

②Terminal Type: 1=SMT 2=DIP 4=180°

③Shell Code: 16=双耳立式 19=立式 28=双耳立式带支架

④Shell Plating: 1=镀金 4=镀镍

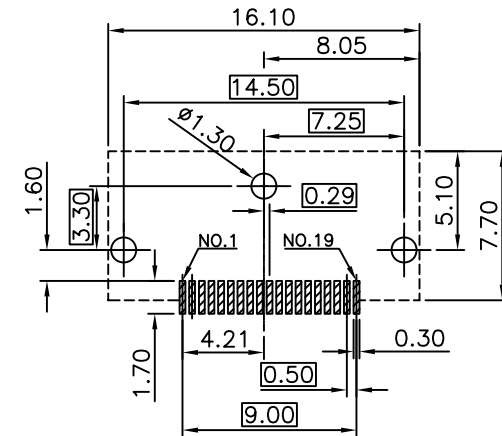
⑤Plating Code: 1=镀金 2=半金亮锡 3=半金雾锡

Contact Plating:1=Gold Flash; 2=3u" Au; 3=5u" Au 4=15u" Au

⑥Mark: 0=Without Logo 1=With Logo

⑦Package Code:1=Tray 2=Tape Reel 3=Tray+Mylar

⑧Characteristic Code



RECOMMENDED P.C.BOARD LAYOUT (TOP VIEW) TOLERANCES UNLESS OTHERWISE SPEC.±0.05



D				④		X. : ±0.30	X° : ±5.0°	TITLE :		A4
C			X.X : ±0.20			X.X° : ±3.0°	HDMI SMT TYPE双耳立式			
B			X.XX : ±0.10			X.XX° : ±1.0°	APPROVED:	PART NO: 1012419164XX0100		
A	RELEASE	Henry Ou	2011.03.26	MATERIAL:	FINISH:	UNIT: mm		CHECKED: Henry Ou	DWG. NO. : F-0000-020-C	
LTR	REVISION RECORD	DR. BY	DATE	SEE NOTES	SEE NOTES	SCALE: 1:1	SHEET: 1/1	DR. : Henry Ou	REV: A	DATE: 2011.03.26